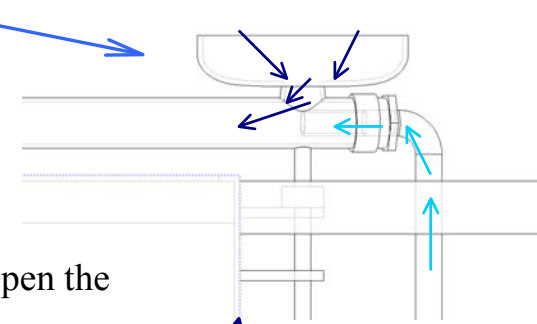


L-175 Lubricant System

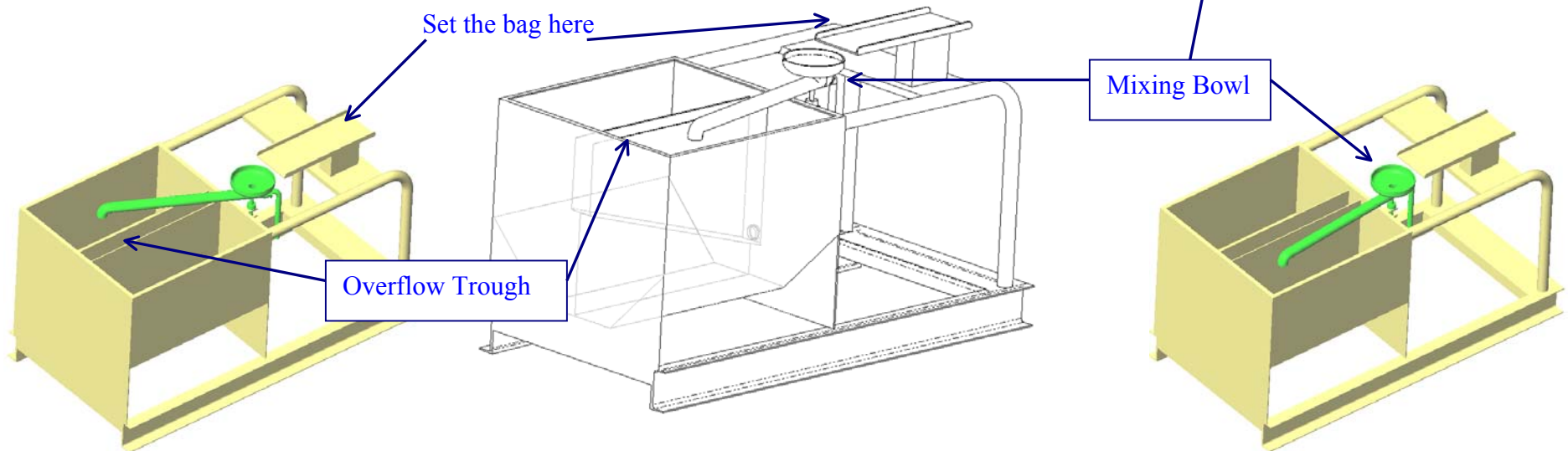
With the new “mixing bowl” & “overflow recirculation”



The new mixing bowl is shown to the right. As the bentonite powder travels down into the opening at the bottom of the bowl, the stream of water from the small pipe washes it away and down the horizontal pipe and in the process mixes the material with water. This is equally effective with the powder, crystal, or liquid forms of polymer.



It's simple – lay a bag of bentonite on the machine next to the mixing bowl, open the bag and let it empty into to the mixing bowl as the water is filling the tank.



The two halves of the tank are separated in the middle by a “trough”. The unmixed balls of bentonite can be allowed to wash into the trough by simply overflowing the tank on either side and thereby recirculating the unmixed material through the centrifugal pump. The 3way valves in the machine's plumbing will allow the centrifugal pump to suck out of the overflow trough or out of either tank, as needed.

TENBUSCH

