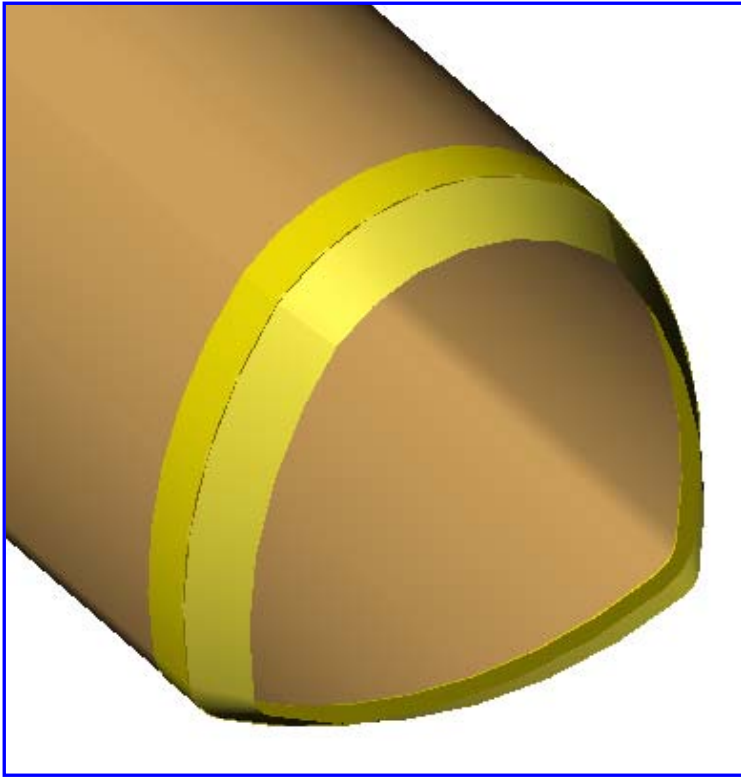
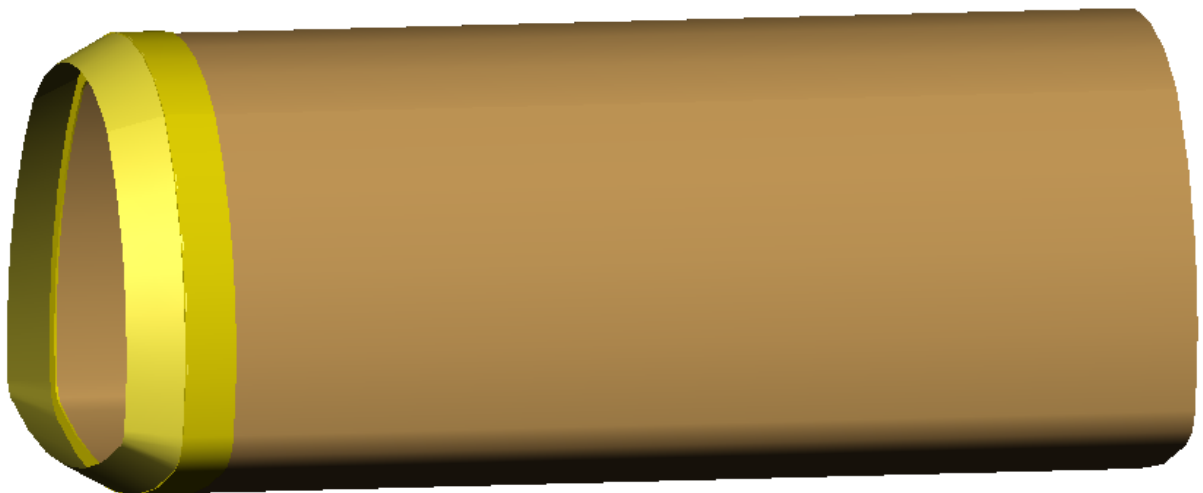


TENBUSCH Shields for Sliplining Applications



Sliplining shields are designed to

- Protect the leading edge of the lead section of the new pipe.
- Reduce the force necessary to advance the new pipe column.
- Minimizes the chance of obstructions causing problems during insertion of the new pipe.



These shields are available for round and non-round pipe profiles.